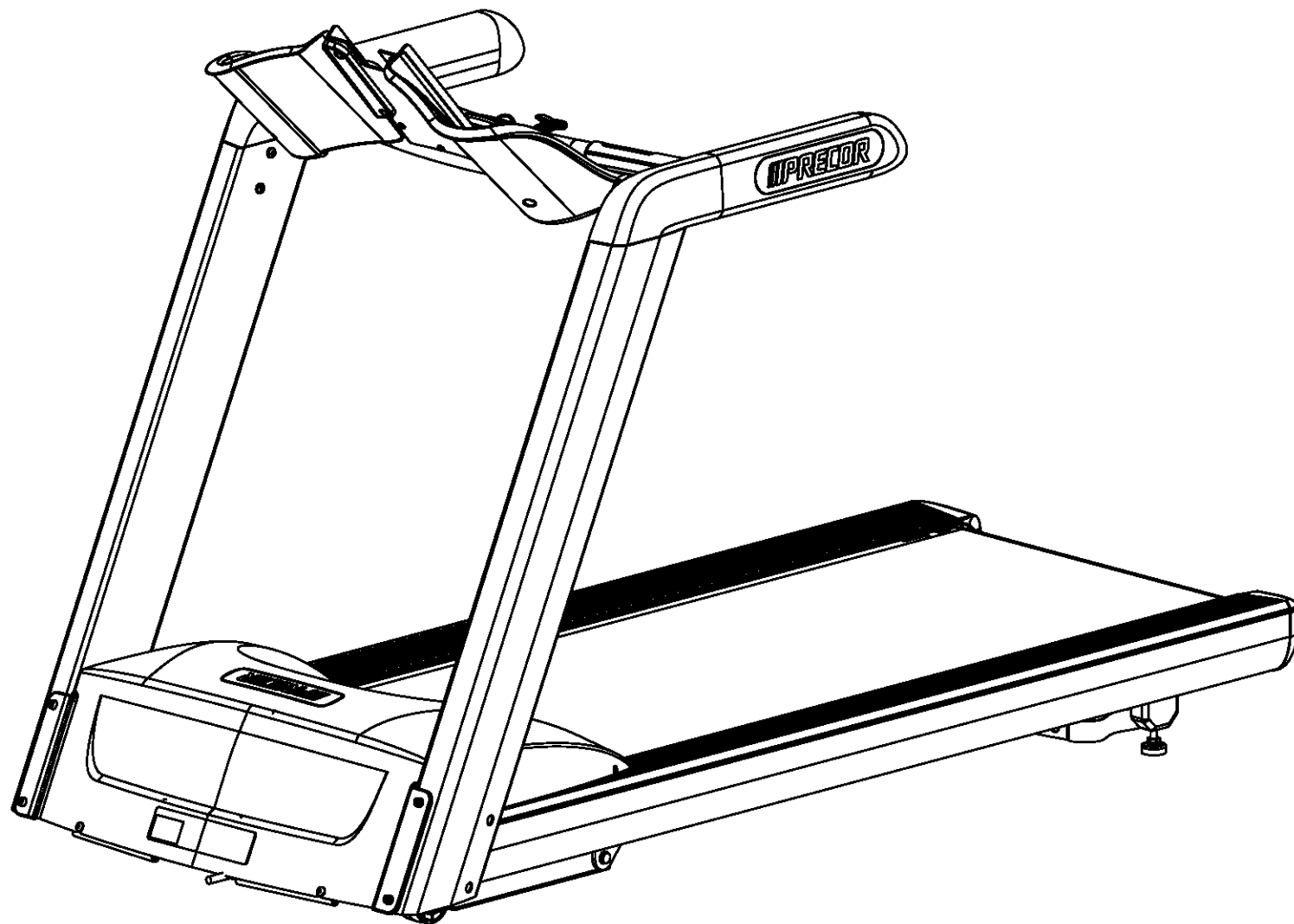


D

C

B

A



PRODUCT:
TRM400-14, 445/425

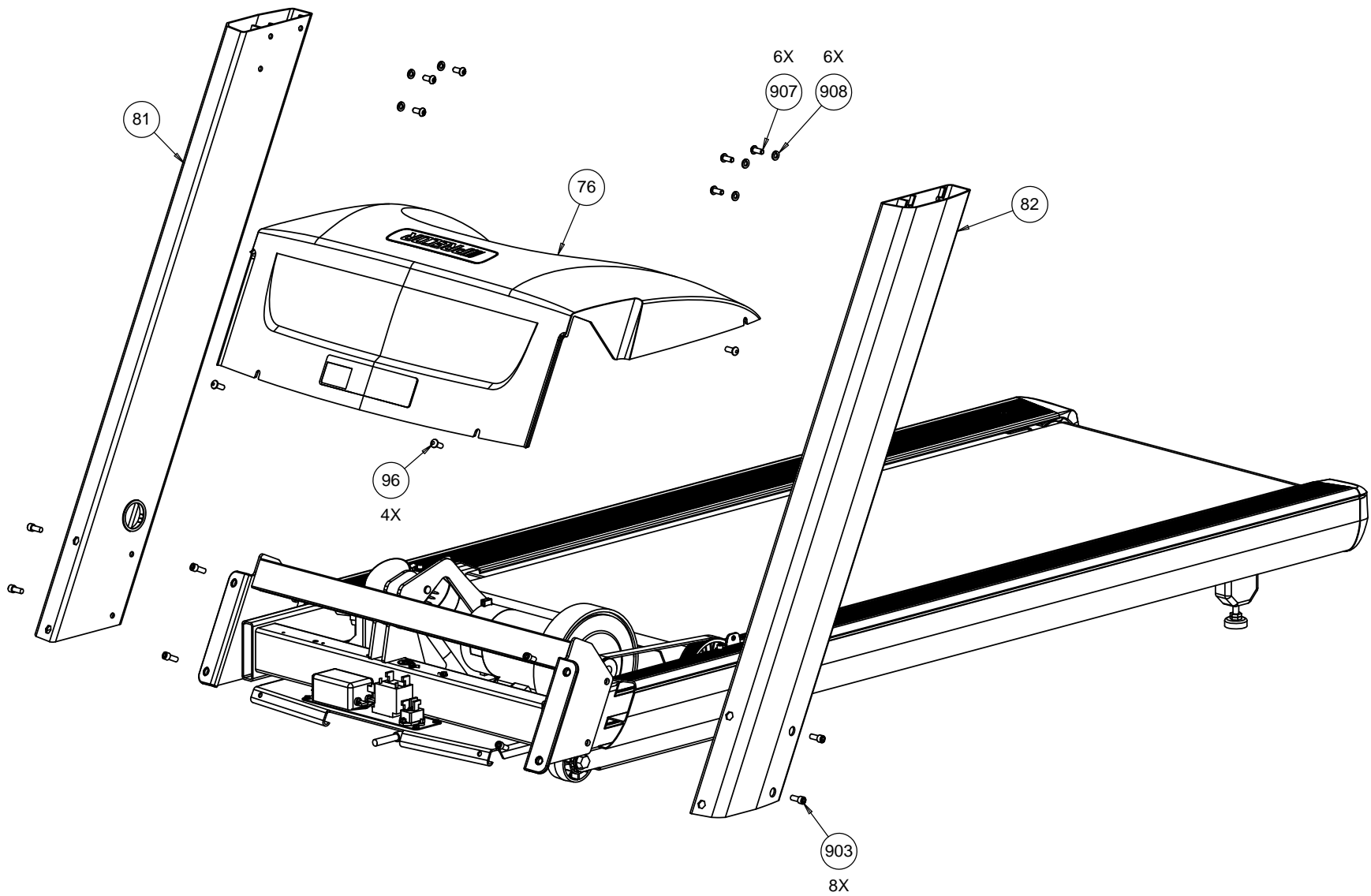


DRWN BY	11/5/14	KAW	SIZE	PAGE
CS	10/22/14	BG	A	1 OF 6



DWG. NO.	SUBREV
303240-101	A06

DRAWING TEMPLATE REV. C



D

C

B

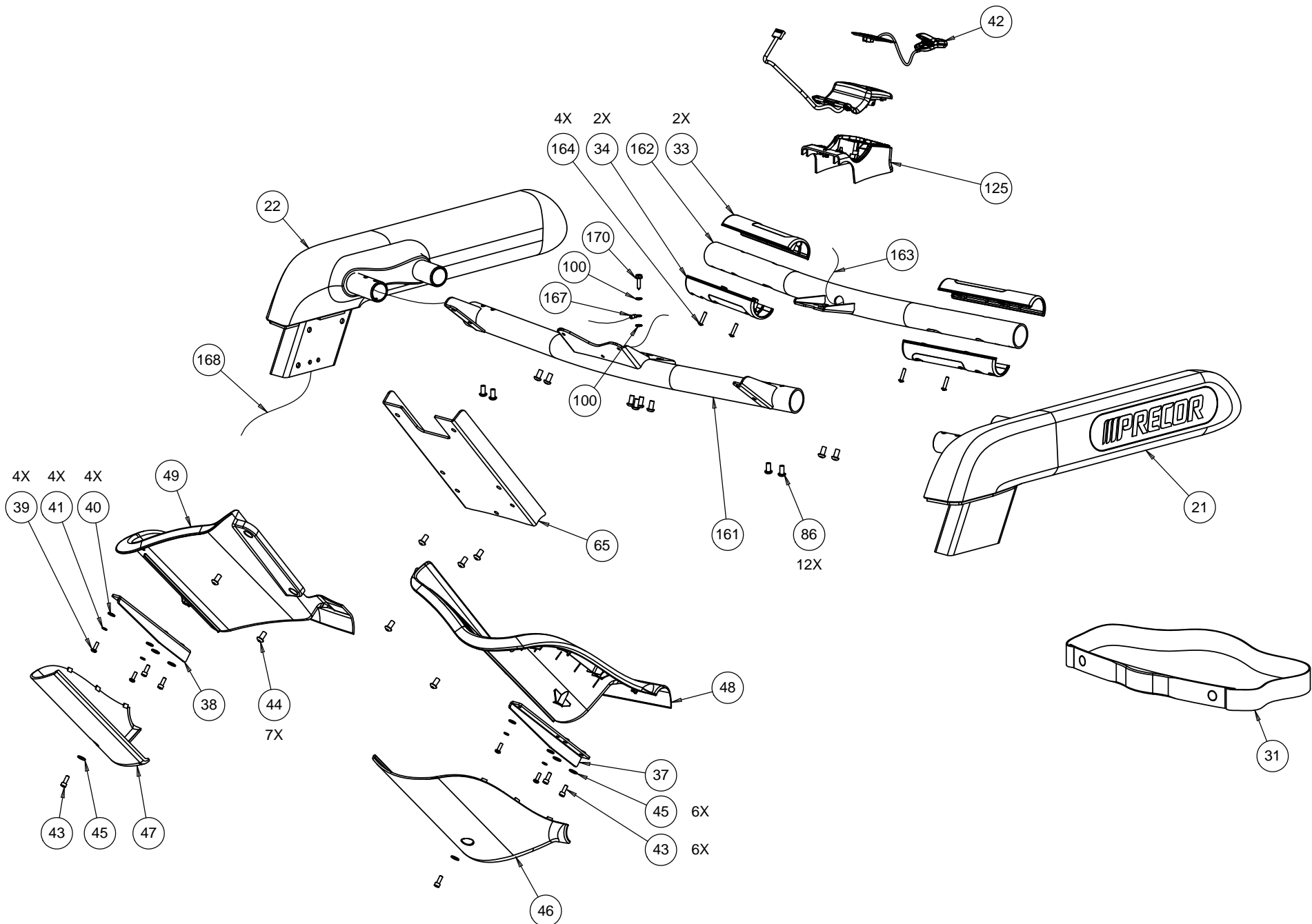
A

4

3

2

1

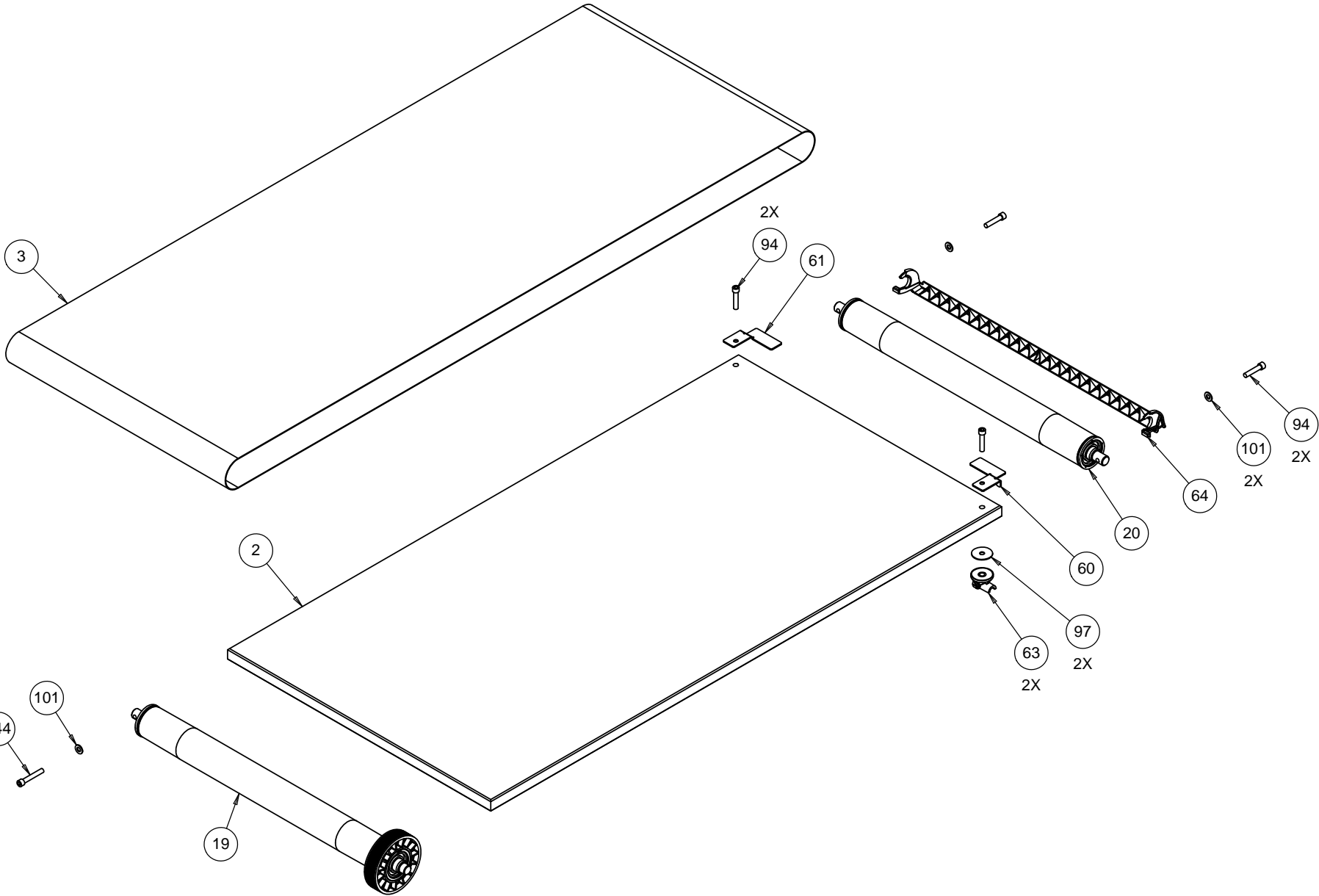


D

C

B

A

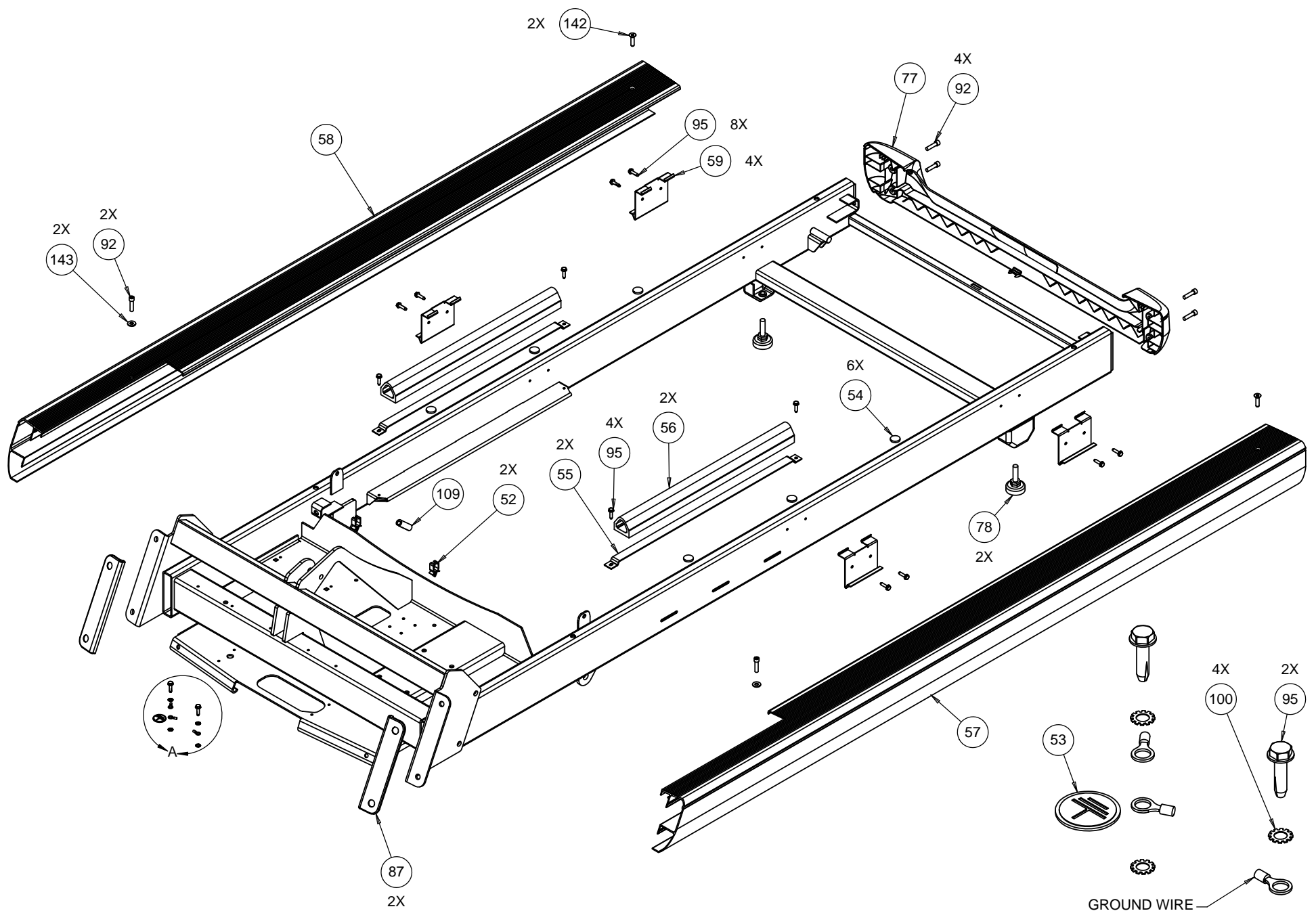


D

C

B

A



DETAIL A

Bubble #	OEM Part Number	Part Description
2	PPP000000059120101	DECK WITH SHIPPER, 9.3X-07
3	PPP000000303765107	RUNNING BELT, AMMERAAL, ROPANYL LAS
9	PPP000000300745102	ASSEMBLY, LOWER PCA
9.1	PPP000000058275101	TRM400 LPCA FAN REPLACEMENT
10	PPP000000059125102	KIT, DRIVE MOTOR W/COVER AND CLAMP
10.1	PPP000000058204101	KIT, TRM400, MOTOR COVER
11	PPP000000020113101	SENSOR, TACHOMETER, MCMILLAN
16	PPP000000013537103	LIFT ACTUATOR, 120 VAC
19	PPP000000035673104	ASSEMBLY, ROLLER, FRONT 9.3X-07
20	PPP000000035677106	ASSEMBLY, ROLLER, REAR 9.3X-07,POWDER
21	PPP000000302881101	HANDLEBAR, OVERMOLD, LH, PAC BLUE
22	PPP000000302881102	HANDLEBAR, OVERMOLD, RH, PAC BLUE
23	PPP000000046985144	PWR CORD,125VAC,15A,NEMA 5-15RA/IEC
24	PPP000000010435101	CKT BRKR,250V,20A,MAGNETIC,ROCKER,2
25	PPP000000011224104	FILTER, POWER LINE, 250VAC, 16A, GE
31	PPP000000038819103	TRANSMITTER, POLAR T34, HEARTRATE,W
33	PPP000000035700104	GRIP, HHR, TOP, PACIFIC BLUE, TRM4
34	PPP000000035701104	GRIP, HHR, BOTTOM, PACIFIC BLUE, T
37	PPP000000302872101	BRACKET, BUCKET, DASH, LH
38	PPP000000302872102	BRACKET, BUCKET, DASH, RH
39	PPP00000MGCN016050	SCREW,MCH,8-32X1/2,PANHD,PHIL,
40	PPP00000WACN016005	WASHER,FLAT,TYPA,#8,STL,CLR ZN
41	PPP00000WALCN016004	WASHER,SPLIT LOCK,#8,STL,CLR ZN
42	PPP000000302853101	ASSEMBLY, SAFETY STOP
43	PPP00000CATE019050	SHCS,10-24 X .50,NYLOCK,STL,BLK SHR
44	PPP00000TATE025050	SCREW,BTHD,1/4-20X1/2,BLK SHRPRZD
45	PPP00000WBZN019005	WASHER,FLAT,SAE TYPA,#10,STL,BLK CV
46	PPP000000302869101	COVER, BUCKET, DASH, LH, PAC BLUE
47	PPP000000302869102	COVER, BUCKET, DASH, RH, PAC BLUE
48	PPP000000302868101	BUCKET, DASH, OVERMOLD, LH, PAC BLU
49	PPP000000302868102	BUCKET, DASH, OVERMOLD, RH, PAC BLU

Bubble #	OEM Part Number	Part Description
50	PPP000000010217144	BELT, DRIVE, POLY V (JASON INDUSTRI
52	PPP000000011278101	CABLE CLAMP,INSERT
53	PPP000000033984101	LABEL, SAFETY, GROUND SYMBOL
54	PPP000000012861101	DISK, FELT, 1/8 THICK X 3/4 OD, ACR
55	PPP000000035671101	STRAP, GFX 9.3X-07
56	PPP000000035672101	SPRING, GFX 9.3X-07
57	PPP000000035686101	TRIM, SIDERAIL, LEFT
58	PPP000000035686102	TRIM, SIDERAIL, RIGHT
59	PPP000000035813101	SUPPORT, SIDERAIL TRIM, STEEL BRACK
60	PPP000000035690101	BRIDGE, ROLLER, LEFT
61	PPP000000035690102	BRIDGE, ROLLER, RIGHT
63	PPP000000035693101	PIVOT, DECK MOUNT, 9.3X-07
64	PPP000000035695102	GUARD, BELT, BLACK
65	PPP000000302880101	BRACKET, CONSOLE
72	PPP00000HCTN050250	SCREW,HEX,GR 5,1/2-13X2-1/2,BLK SHA
73	PPP00000KACN050019	NUT,LOCK,HALF,1/2-13,NYLON INSERT,S
74	PPP00000WBZN050008	WASHER, FLAT,1/2,.086 BLK CVS
75	PPP000000035731018	ASSY,CBL 2COND,14AWG,QK DISC,18 in.
76	PPP000000303074102	ASSY, HOOD, NEW LOGO, PACIFIC BLUE
77	PPP000000303075102	ASSY, ENDCAP, PACIFIC BLUE
78	PPP000000035744101	FOOT, ADJUSTABLE
79	PPP000000010043113	BEARING,FLANGE,OD=.62 ID=.5
80	PPP000000044270101	WHEEL, LIFT
81	PPP000000035804101	ASSEMBLY, TARGA, RIGHT
82	PPP000000035669101	TARGA, LEFT
84	PPP000000302892101	ASSEMBLY, LIFT PLATFORM
85	PPP000000035778101	BUMPER, LIFT PLATFORM
86	PPP00000TCNN025050	SCREW,BTHD,1/4-20X1/2,SS
87	PPP000000035750101	COVER, TARGA BRACKET 9.3X-07
88	PPP000000010401106	PIN,CLEVIS, 3/8 X 1.75, ZINC

Bubble #	OEM Part Number	Part Description
89	PPP000000045669107	PIN, LIFT PIVOT, 3.34, MUSHROOM HEA
90	PPP000000044532018	ASSY,CBL,2 COND,22 AWG,MOLEX, 18 in.
91	PPP000000045669111	PIN, LIFT PIVOT, MUSHROOM HEAD, .49
92	PPP00000CATN025100	SCREW,SKHD,1/4-20X1,BLK SHARPERIZED
93	PPP00000HCCN031075	SCREW, HEX HD, GRADE 5, 5/16-18 X .
94	PPP00000CARB031150	SHCS,5/16-18 X 1.50,STL,SILVER ZNCOAT,
95	PPP00000PLCN019075	SCREW,S/T,#10X3/4,WSHRHXHD,ZN, TYPE
96	PPP00000TCNN031075	SCREW,BTHD,5/16-18X.75,SS
97	PPP00000WABCN031006	WASHER, FEN, 5/16, ID=.331,
98	PPP00000WACNN038009	WASHER, NYLON, .375 I.D.X.75O.D. X
99	PPP00000WACNN050006	WASHER, NYLON, .50 I.D.X.75
100	PPP00000WAMCN019002	WASHER, LOCK, EXT TOOTH, #10
101	PPP00000WBCN031007	WASHER,FLT,5/16X.688X.065, ZN
102	PPP000000010400103	PIN, HITCH, .093 DIA, ZINC, #203
109	PPP000000302897015	TRIM, EDGE, 1/4 in., 1.5 in. LONG
116	PPP00000MGCN019050	SCREW, MACHINE, 10-24X1/2, PANHD, P
117	PPP00000KGCN013011	LOCKNUT, STARWASHER 6-32, #6
122	PPP000000045381101	IEC 16/20A POWER CORD INLET
125	PPP000000302850102	ASSY, STOP SWITCH
136	PPP000000048761101	CLAMP, POWER CORD
137	PPP00000MGCN013038	SCREW,MCH,6-32X3/8,PANHD,PHIL,
138	PPP000000037436101	LABEL, CHASIS NEUTRAL
139	PPP000000044528005	CBL,1C,14AWG,250X032 QD RECP FLAG(X
140	PPP000000044534006	CBL,1C,14AWG,#10 RING/250X032 QD RE
141	PPP000000035730007	CBL,1C,14AWG,250X032 QD RECP FLAG(X
142	PPP00000CNNN025100	SCREW, CAP, FLAT HEAD, STAINLESS, H
143	PPP00000WBCN025006	WASHER,FLT,1/4X..500X.063,ZN (MECH
144	PPP00000CARB031200	SHCS,5/16-18 X 2.00,STL,SILVER ZNCOAT,
161	PPP000000302860101	WELDMENT, CROSS TUBE, CONSOLE, TITA
162	PPP000000302865101	WELDMENT, CROSS TUBE, HANDLE, TITAN

Bubble #	OEM Part Number	Part Description
163	PPP000000302875024	ASSY, CABLE, HHR GRIP, W/SHIELD,24
164	PPP00000TCNN016075	SCREW, BTHD, 8-32X.75,SS
167	PPP000000302876010	CBL,1C,20AWG,#10 RING/250X032 QD RE
168	PPP000000049809069	ASSY,CBL,MOD,8P8C,1-1,SLEEVED,69 in.
169	PPP00000EGGN025025	SCREW, SET, STL, CONE PNT, 1/4-20,
170	PPP00000PKCN019075	SCREW,S/T,#10X.75,WSHHXHD,ZN
200	PPP000000302890101	KIT, HARDWARE, TRM400-14
201	PPP000000057051101	9.3X BRACKET REPLACEMENT KIT
211	PPP000000302882102	LABEL, REGULATORY, 120V
260	PPP000000020002114	BRUSH W/ LEAD ASSY, RED, MCMILLAN S
261	PPP000000020002115	BRUSH W/ LEAD ASSY, BLACK, MCMILLAN
262	PPP000000020111101	GROUND BRUSH ASSY, MCMILLAN S3456B3
263	PPP000000020112101	BRUSH COVER, MCMILLAN S3456B3329
265	PPP000000020114101	INTERRUPTER, 10 TOOTH, TACHOMETER,
266	PPP000000020115101	CABLE, TACHOMETER, MCMILLAN
267	PPP000000020116101	BRACKET, TACHOMETER SENSOR, MCMILLA
268	PPP000000020117101	BASE, MOTOR, MCMILLAN
269	PPP000000020118101	GROUND WIRE, 7.5 INCH, MCMILLAN
270	PPP0000WACNN050013	WASHER,FLAT,.503 X .756 X .125,NYLO
271	PPP000000058117101	CS KIT, LIFT MOTOR VIBRATION NOISE
901	PPP000000010186119	WRENCH, ALLEN, 3/16 X 4.5 in.
902	PPP000000010186122	WRENCH, ALLEN, 1/4 X 3.5 in. X 6.0 in.
903	PPP00000CAMN031075	SCREW,SKHD,5/16-18X0.75,ZN (MECH PL
907	PPP00000TCNN031075	SCREW,BTHD,5/16-18X.75,SS
908	PPP0000WALCN031008	WASHER, 5/16 SPLIT LOCK, ZINC
909	PPP000000010186101	WRENCH, ALLEN, 5/32
999	PPP000000303031111	KIT, LITERATURE, TRM 4XX, EN